

9250/9260 LOGIC MODULE MOUNTING TEMPLATE

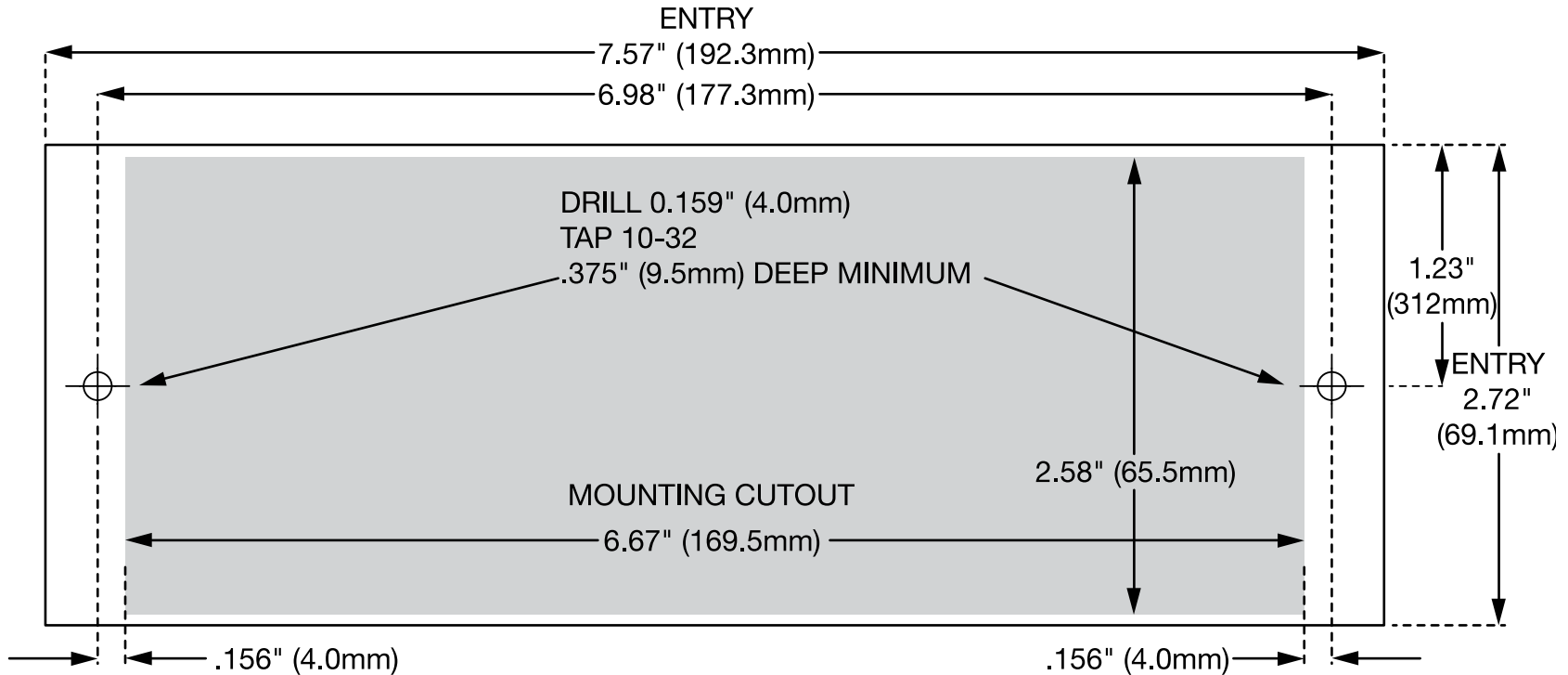
ENGLISH: #10-32

DRILL & TAP TO 3/8" or 9.5mm DEPTH

(MIN. 1/4" or 6.4mm)

(2X) AS REQUIRED FOR MOUNTING METHOD

DO NOT SCALE



LOCK CASE MOUNTING TEMPLATE

ENGLISH: 1/4-20

METRIC: M6X1

DRILL & TAP TO 3/8" or 9.5mm DEPTH

(MIN. 1/4" or 6.4mm)

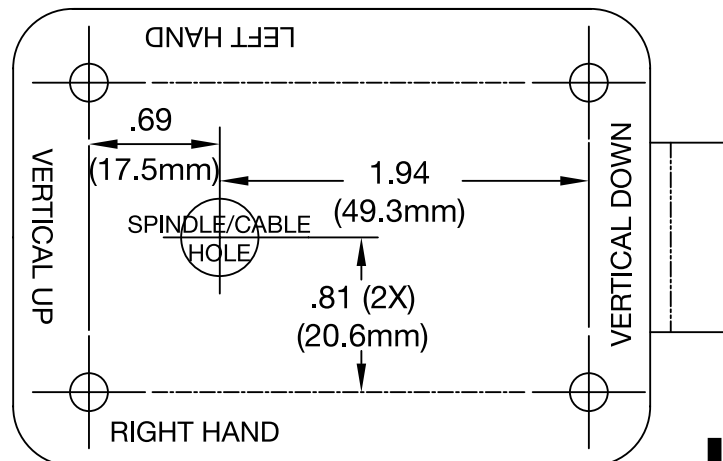
SPINDLE/CABLE HOLE

DRILL & DEBURR:

.406 (10.32mm) MIN.

.406 (10.32mm) RECOMMENDED

.438 (11.11mm) MAX.



LA GARD